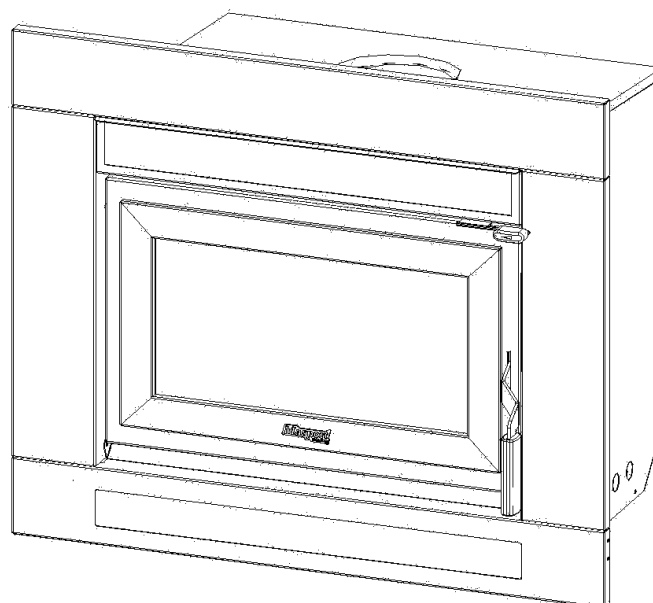




## MASPORT I5000 INSERT FIRE, AUSTRALIAN MODEL

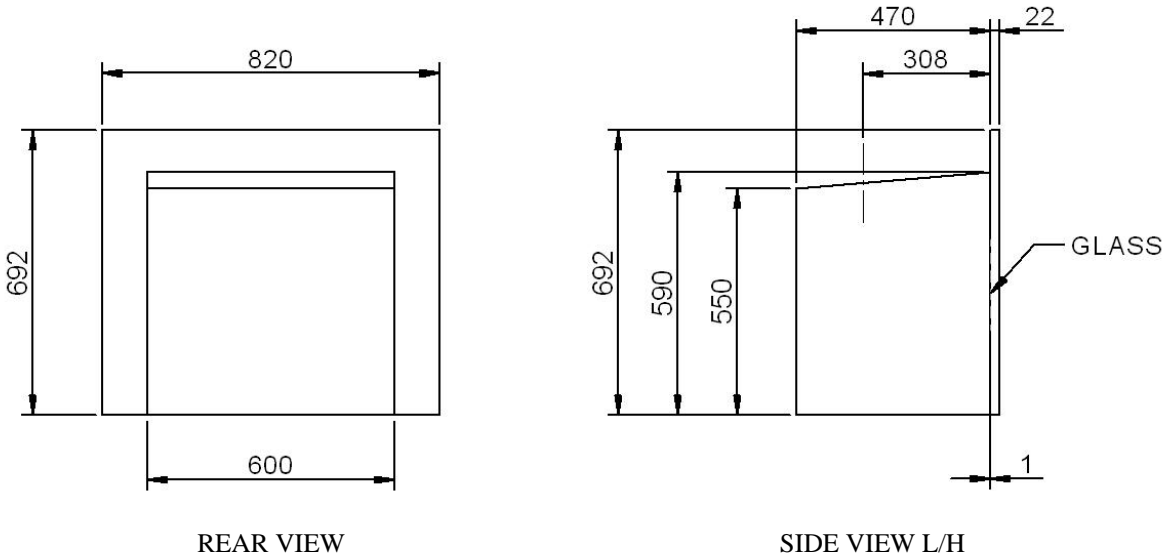
### INSTALLATION INSTRUCTIONS



**Manufactured in New Zealand by:**  
GLEN DIMPLEX AUSTRALASIA LIMITED  
PO Box 58-473 Botany  
Auckland 2163  
Ph: 0800 666 2824  
Fax: 09274 8472  
Email: [sales@glendimplex.co.nz](mailto:sales@glendimplex.co.nz)  
Web: [www.glendimplex.co.nz](http://www.glendimplex.co.nz)

**Distributed in Australia by:**  
GLEN DIMPLEX AUSTRALIA PTY LIMITED  
Unit 2, 205 Abbots Road, Dandenong South  
Victoria, 3175  
Ph: 1 300 566 816  
Fax: 1 800 058 900  
Email: [sales@glendimplex.com.au](mailto:sales@glendimplex.com.au)  
Web: [www.glendimplex.com.au](http://www.glendimplex.com.au)

**DIMENSIONS:**



NOTE: Dimensions do not include the insulating blanket. Add 15mm to rear and top to allow for insulating blanket.

**INTRODUCTION**

In the interest of your safety, most building regulatory Authorities in Australia and New Zealand require any woodfire installation to comply with Installation Standard AS/NZS 2918:2001, Appendix E. They may also have local requirements in addition to those in the Standard. Check with your local Building Authority **before commencing installation** to find if you will require a Permit and whether there are extra requirements. This woodfire has been tested to ensure that it will meet the appropriate safety Standard requirements if these instructions are followed. As the safety and emission performance can be affected by altering the appliance, no modifications are allowed without written permission from the manufacturer.

The model I5000 has been tested to demonstrate compliance with current general emission requirements in Australia, but some areas have stricter limits. So **check before** purchasing or installing the requirements for your area.

**WE RECOMMEND THAT THE INSTALLATION OF YOUR MASPORT WOODFIRE BE CARRIED OUT BY A QUALIFIED SPECIALIST INSTALLER.**

**IF ANY ELECTRICAL WORK IS REQUIRED, IT MUST IT MUST BE CARRIED OUT BY A LICENSED ELECTRICIAN.**

**IN SOME REGIONS POWER POINTS ARE NOT PERMISSIBLE WITHIN THE FLOOR PROTECTOR AREA, PLEASE CHECK WITH YOUR LOCAL AUTHORITY.**

**IF THE SUPPLY CORD IS DAMAGED, IT MUST BE REPLACED BY THE MANUFACTURER OR ITS SERVICE AGENT OR A SIMILARY QUALIFIED PERSON IN ORDER TO AVOID ELECTRICAL HAZARD.**

**WARNING: THE APPLIANCE AND FLUE SYSTEM MUST BE INSTALLED IN ACCORDANCE WITH AS/NZS 2918:2001 AND THE APPROPRIATE REQUIREMENTS OF THE REVELANT BUILDING CODE OR CODES.**

**WARNING: APPLIANCES INSTALLED IN ACCORDANCE WITH THIS STANDARD SHALL COMPLY WITH THE REQUIREMENTS OF AS/NZS 4013 WHERE REQUIRED BY THE REGULATORY AUTHORITY, I.E. THE APPLIANCE SHALL BE IDENTIFIABLE BY A COMPLIANCE PLATE WITH THE MARKING 'TESTED TO AS/NZS 4013'. ANY MODIFICATION OF THE APPLIANCE THAT HAS NOT BEEN APPROVED IN WRITING BY THE TESTING AUTHORITY IS CONSIDERED TO BE IN BREACH OF THE APPROVAL GRANTED FOR COMPLIANCE WITH AS/NZS 4013.**

**WARNING FOR APPLIANCES WITH WATER HEATING DEVICES: DO NOT CONNECT TO AN UNVENTED HOT WATER SYSTEM. INSTALL IN ACCORDANCE WITH AS 3500.4.1 OR NZS 4603 AND THE APPROPRIATE REQUIREMENTS OF THE REVELANT BUILDING CODE OR CODES.**

PLEASE ENSURE THAT ONLY COMPONENTS APPROVED BY GLEN DIMPLEX AUSTRAL-ASIA LTD ARE USED FOR INSTALLATION, as substitutes may adversely affect performance and might nullify compliance with the requirements of AS/NZS 2918:2001.

CAUTION: MIXING OF APPLIANCE OR FLUE SYSTEM COMPONENTS FROM DIFFERENT SOURCES OR MODIFYING THE DIMENSIONAL SPECIFICATION OF COMPONENTS MAY RESULT IN HAZARDOUS CONDITIONS. WHERE SUCH ACTION IS CONSIDERED, THE MANUFACTURER SHOULD BE CONSULTED IN THE FIRST INSTANCE.

CAUTION: CRACKED OR BROKEN COMPONENTS, E.G. GLASS PANELS, MAY RENDER THE INSTALLATION UNSAFE.

## **NOTE**

The following instructions cover the installation of the model I5000 Insert Fire into a sound masonry fireplace which has an integral masonry chimney. Where such a chimney is not available, the heater can be installed into a timber framed structure provided that it is mounted in a special 'build in' (or 'zero clearance') metal shielding box. Build-in (zero clearance) installation kits and the special fascia and the special flue components necessary are available from your Masport Heating Dealer. Full assembly instructions are included in the kit.

# INSTALLATION REQUIREMENTS

## FIREPLACE PREPARATION

For a safe installation the following matters must be attended to:

The masonry fireplace and chimney must be thoroughly cleaned and checked for soundness.

The chimney must not connect to a second fireplace.

The joint between the chimney face and the fireplace surround must be checked and sealed to prevent leakage if necessary.

The fire may be installed in a sound masonry fireplace equipped with a sound masonry chimney. Further it may be installed in a masonry enclosure by following the requirements detailed in AS/NZS 2918:2001. Again it may also be installed in a timber framed enclosure using a 'zero clearance' kit. (Please refer to separate installation instructions).

The flue pipe must be fitted right up the masonry chimney to exit above the chimney top, and the space between the flue pipe and chimney must be ventilated at the top. The area of this vent must be not less than 10'000mm<sup>2</sup>. The vent must be fitted with means to prevent significant ingress of water and debris. The flue must be free to move up and down at the top as it expands and contracts with temperature changes. This movement can be 25mm or more.

## FIREPLACE CAVITY DIMENSIONS (MINIMUM):

Width: 600mm

Height: 600mm

Depth: 490mm

Distance from face of fire place surround to centre of flue spigot: 308mm

## DISTANCES TO HEAT SENSITIVE MATERIALS:

### SIDE WALLS:

Minimum distance to heat sensitive (combustible) sidewalls: 510mm from centerline of heater.

### MANTLE SHELF COLUMNS:

Minimum distance from centre line of heater: 410mm.

Maximum projection of column out from fireplace surround: 100mm.

### MANTLE SHELF (UNSHIELDED):

Mantle shelf must be at least 1425mm above the base of the heater and it must not protrude more than 150mm from the face of the fireplace surround.

### MANTLE SHELF (SHIELDED):

Mantle shelf must be at least 960mm above the base of the heater and it must not protrude more than 150mm from the face of the fireplace surround. It must be shielded with a 1.2mm thick sheet-metal panel measuring 165 x 800mm minimum. For best appearance you may increase the width of the shield to the width of the mantle shelf. The shield must be spaced 12mm from the lower surface of the mantle.

## HEAT SENSITIVE (COMBUSTIBLE) MATERIALS BEHIND FASCIA:

**Exclusion zone** for combustible materials behind fascia is as follows:

Width min: 820mm

Height from base of heater: 1283mm if there is no mantel shelf fitted and also if there is a unshielded mantel shelf fitted.

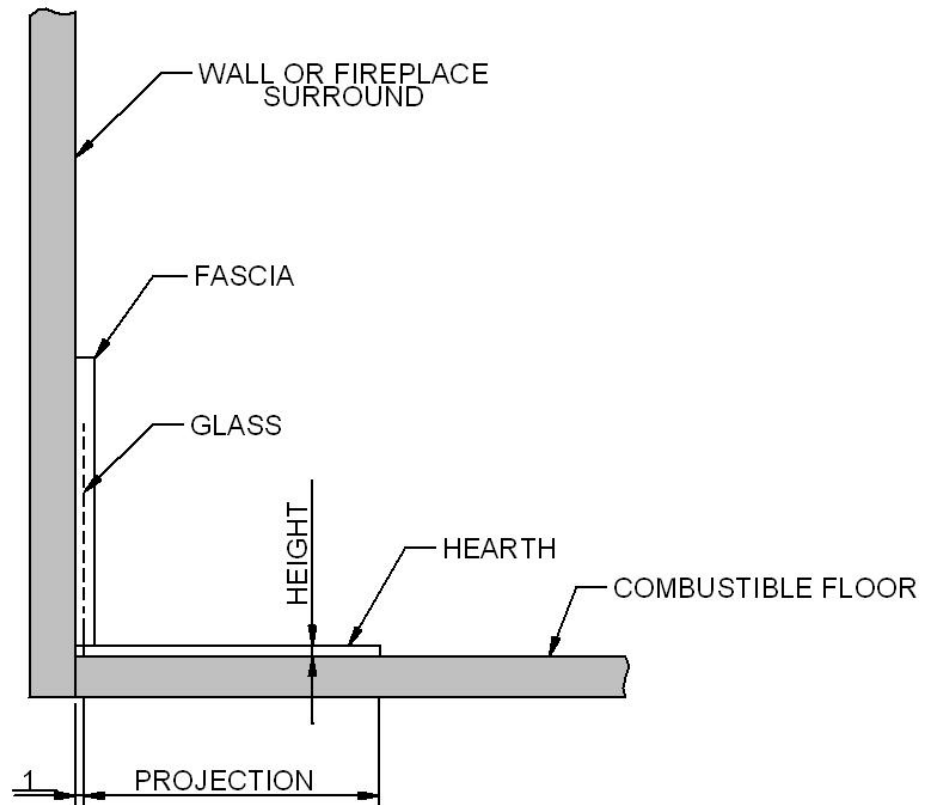
Height from base of heater: 983mm if there is a shielded mantle shelf as above fitted.

**HEARTH REQUIREMENTS:**

You need an **insulating floor protector (hearth)**. The minimum requirement for an insulating floor protector (hearth) is one layer of 6mm thick 'PROMATECT H', SUPALUX, or ETERPAN LD (or similar with a heat transition coefficient of 5 W/m<sup>3</sup> K), and a layer of tiles or slate. This will give a thickness of approximately 14mm, and the extension from the face of the glass must be at least 320mm (or 321mm from fireplace surround) if the floor protector is flush with the surrounding heat sensitive material. The floor protector must be at least 875mm wide. **It is desirable to carry the floor protector all the way inside the fireplace to ensure that the bottom of the fire does not rest below the top surface of the floor protector.** Of course an existing fireplace should already have a suitable hearth. Please check the dimensions.

The projection distance for the floor protector can be reduced if the height of the hearth is more than 0mm above combustible materials. Please refer to the following table:

**HEARTH PROJECTIONS**



HEARTH HEIGHT ABOVE EXPOSED FLOOR	PROJECTION FROM GLASS	PROJECTION FROM FIRE PLACE SURROUND
mm	mm	mm
0	320	321
12	300	301

## INSTALLING THE FIREBOX AND FLUE

Remove the door from the fire by opening it and lifting it up until the top pivot comes free and then lower the door until the bottom pivot comes free.

You require a 150mm diameter flue. We recommend the use of the GDA flue kit for insert fires. Measure the fireplace recess and remove bricks as necessary to accept the firebox outer case. Clear away any rubble and clean, inspect and seal the chimney and fireplace as detailed under 'INSTALLATION REQUIREMENTS'.

Check the distance back from the face of the surround to the centre of chimney to determine whether the flue will require an offset fitting. If needed, fix it to the lower end of the assembled flue sections in the chimney and lift the flue assembly up while the firebox case is pushed back into the recess. Verify that the case will be fully supported in a level position when installed.

Slide the case into the cavity and adjust its position so that flanges of the two side brackets are in line with the face of the fireplace surround.

Slide out the top front section of the case for access for fitting and fixing the flue. Lower the flue into position. Seal the flue at the firebox spigot using fire cement or fiberglass rope. Secure the flue to the spigot. Use stainless steel screws. Re-fit the sliding panel with the insulating blanket on top of the firebox outer cabinet.

In New Zealand and some parts of Australia, Standards require that the woodfire be secured to prevent shifting in the event of an earthquake.

**To provide seismic restraint**, screw the case to the base of the fireplace recess with at least two 6mm masonry anchors (Dynabolts) or two 12 gauge screws through the holes in the bottom of the firebox outer case. (Fasteners not supplied).

### INTERNAL PARTS

Ensure that the ceiling baffle, secondary air tube, the two side bricks and the two rear bricks are in their correct position.

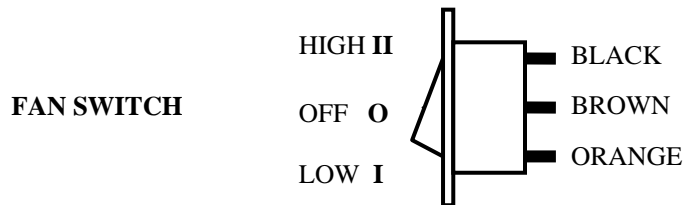
**For Australian models only:** Check that the fan assembly has not been dislodged from the two upstanding tabs inside the rubber grommets and that the wiring loom is neatly tucked in the left hand steel channel.

## INSTALLING THE FASCIA

Fit switch to fascia if not already done in factory. This involves removing a rectangular 'knock-out' at the upper left hand fascia panel. Clean hole with file and push switch in from outside, the 'high' II marking should be above the 'off' O marking.

Bring the fascia in its upright position close to the fire and **connect the earth lead to the tag** on the lower end of the left hand fascia bracket. This is a quick connect push-on connection.

Connect the three terminals at the end of the loom to the switch. See sketch for position of wires. Ensure the wiring loom rests in the notch behind the left hand fascia.

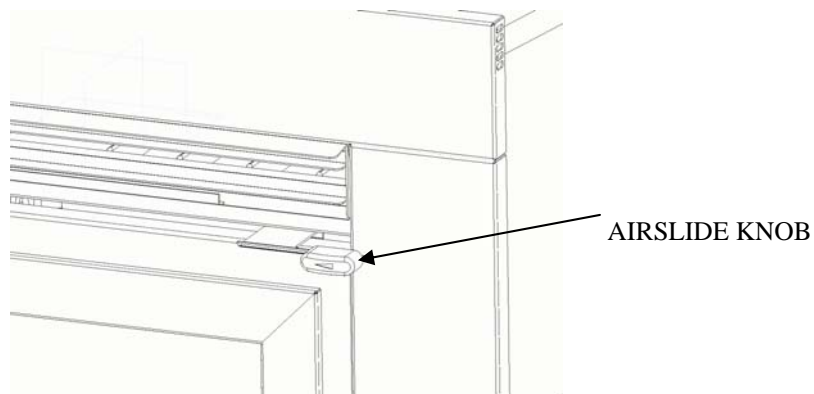


Position the power cord with the three pin plug at the end through the slot at the bottom end of the left hand fascia panel. Make sure the small rubber grommet is inserted into the slot to protect the mains lead against possible damage..

Now you can gently slide the fascia assembly inwards. Secure with 4 screws to the cabinet. The screws are positioned either side of the door opening.

Fit the air slide extension bracket to the air slide using two 8 gauge x 10mm black screws.

Push the air slide knob over the air slide extension bracket. Arrow must point to the left.



Fit the door. Hook the bottom pivot over the lower end of the hinge pin and lift the door up until the top pivot drops over the top end of the hinge pin.

Check the installation including the operation of the fan where applicable.

Hand over the owner's manual to the owner of the fire.